

# Darlinghurst Academy Year 6 Summer 1: Let's go round again?

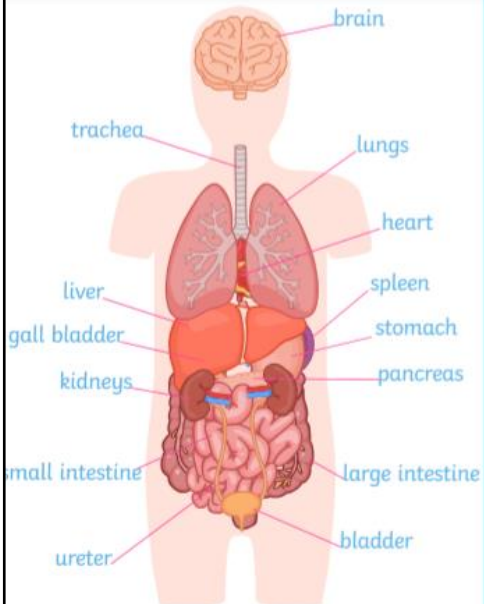
## Vocabulary

|                    |                                                                                                                                                 |
|--------------------|-------------------------------------------------------------------------------------------------------------------------------------------------|
| Circulatory system | system which includes the heart, veins, arteries and blood transporting substances around the body.                                             |
| Blood vessels      | The tube-like structures that carry blood through the tissues and organs. Veins, arteries and capillaries are the three types of blood vessels. |
| organ              | a part of your body that has a particular purpose                                                                                               |
| heart              | An organ which constantly pumps blood around the circulatory system.                                                                            |

## Vocabulary

|             |                                                                                                                        |
|-------------|------------------------------------------------------------------------------------------------------------------------|
| circuit     | a complete route which an electric current can flow around                                                             |
| voltage     | The force that makes the electric current move through the wires. The greater the voltage, the more current will flow. |
| current     | a flow of electricity through a wire or circuit                                                                        |
| electricity | a form of energy that can be carried by wires and is used for heating and lighting, and to provide power for devices   |
| resistance  | the difficulty that the electric current has when flowing around a circuit.                                            |

## Remember



Mammals have **hearts** with four chambers. Notice how the blood that has come from the body is **deoxygenated**, and the blood that has come from the lungs is **oxygenated** again. The blood isn't actually red and blue: we just show it like that on a diagram.

from body to body  
to lungs from lungs  
deoxygenated blood oxygenated blood

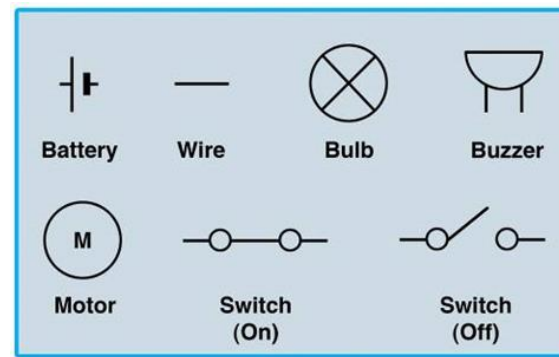
Capillaries are the smallest **blood vessels** in the body and it is here that the exchange of water, nutrients, oxygen and carbon dioxide takes place.

Arteries carry **oxygenated blood** away from the **heart**.

arteries capillaries veins

Veins carry **deoxygenated blood** toward the **heart**.

## Remember



## Circuits

- More batteries or a higher voltage create more power to flow through the circuit.
- Shortening the wires means the electrons have less resistance to flow through.
- Fewer batteries or a lower voltage give less power to the circuit.
- More buzzers or bulbs mean the power is shared by more components.
- Lengthening the wires means the electrons have to travel through more resistance